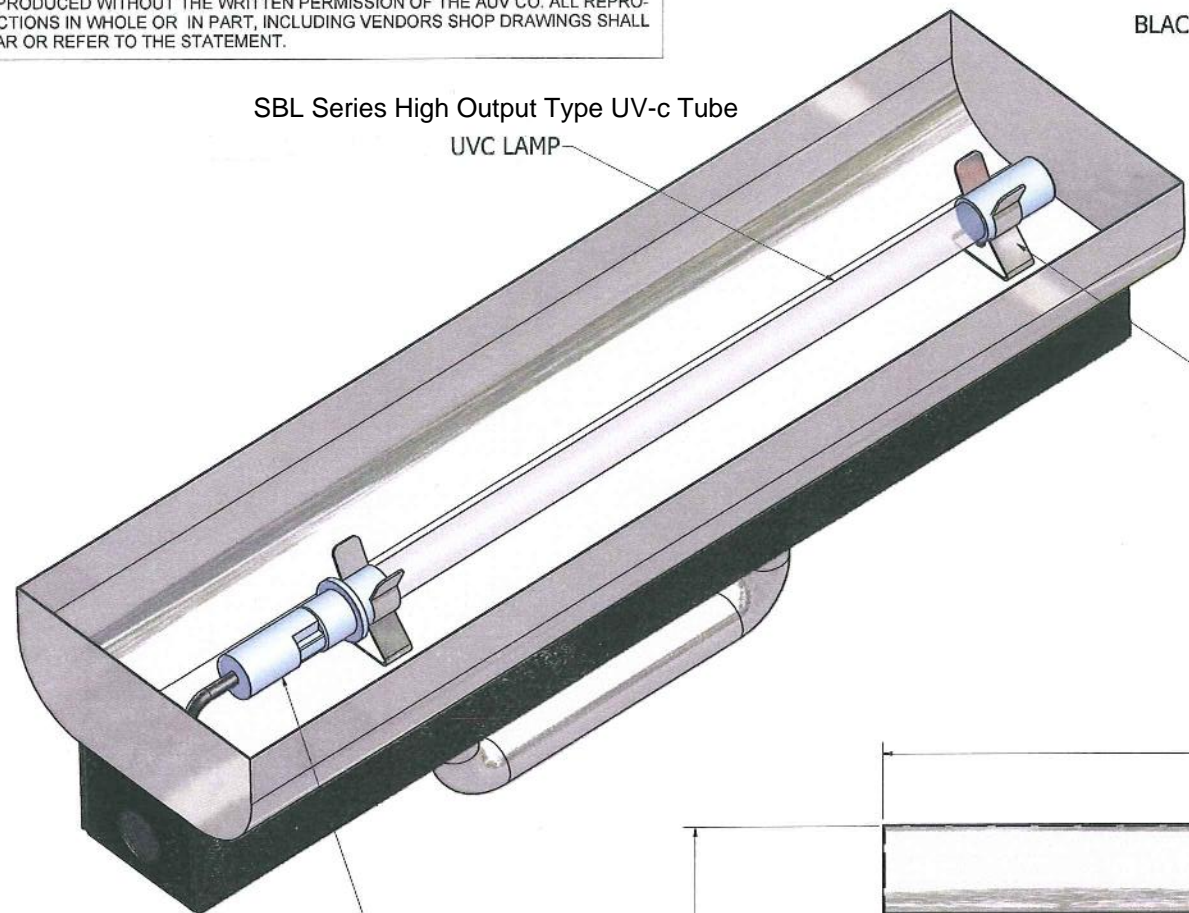


THIS DRAWING HAS BEEN FURNISHED BY AMERICAN ULTRAVIOLET® THE INFORMATION AND KNOW HOW THEREON MAY NOT BE USED NOR THE DRAWING REPRODUCED WITHOUT THE WRITTEN PERMISSION OF THE AUV CO. ALL REPRODUCTIONS IN WHOLE OR IN PART, INCLUDING VENDORS SHOP DRAWINGS SHALL BEAR OR REFER TO THE STATEMENT.

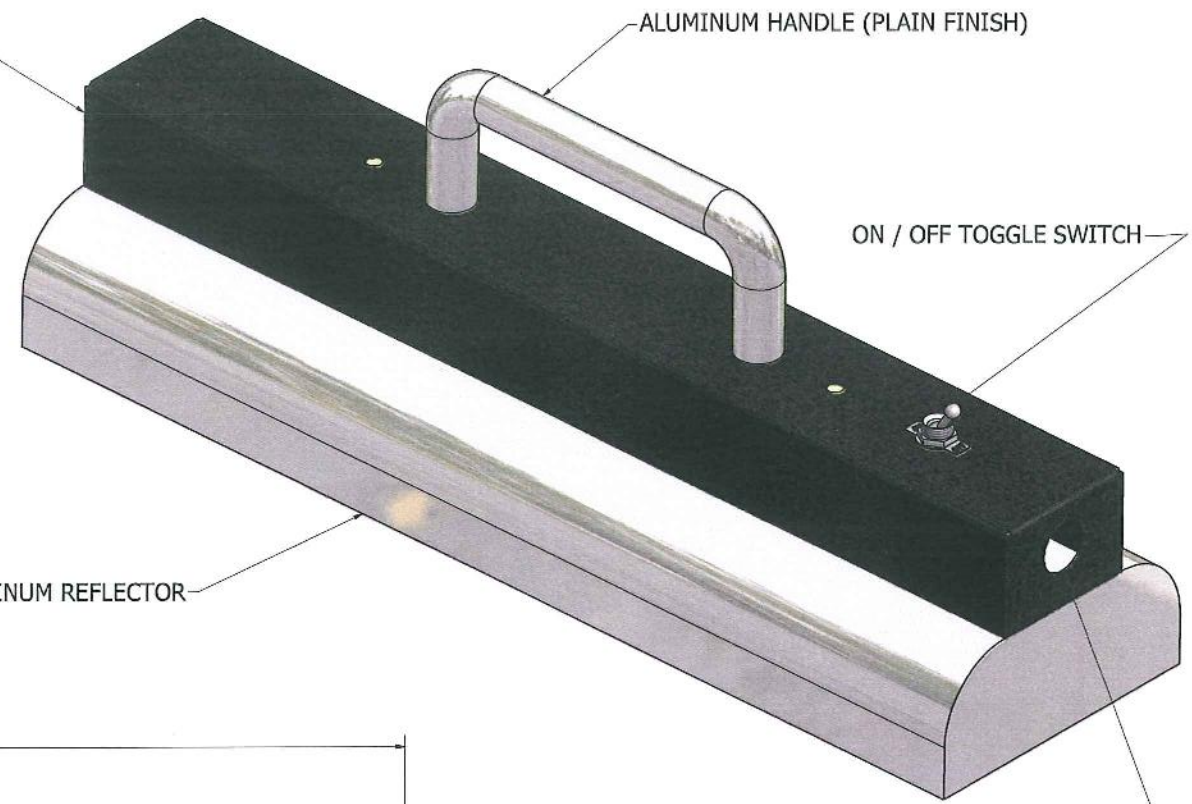


SBL Series High Output Type UV-c Tube

UVC LAMP

BLACK TEXTURED FINISH ALUMINUM HOUSING

SS SPRING CLIPS

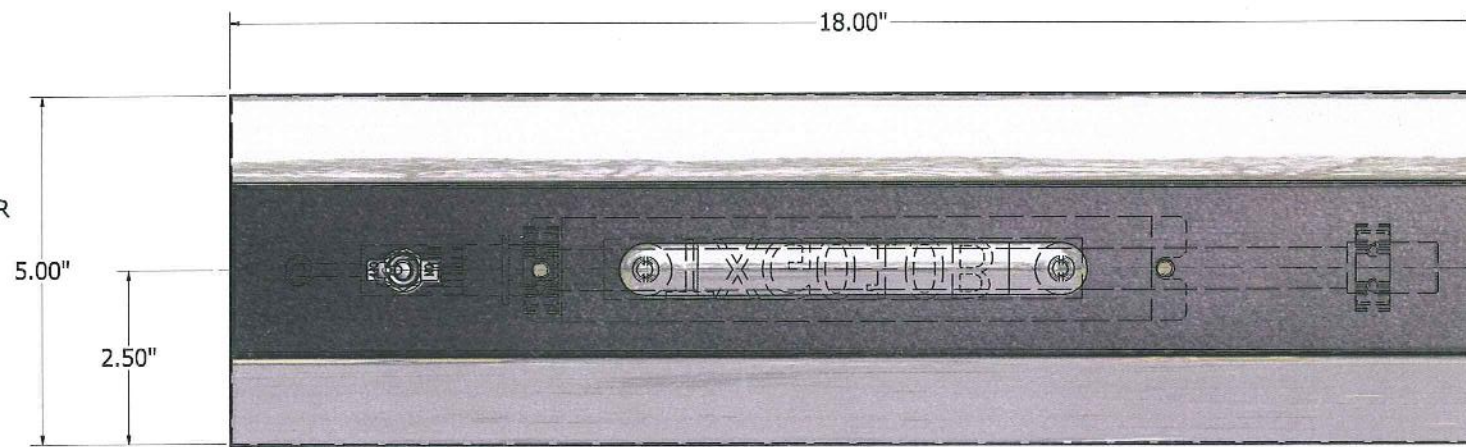


ALUMINUM HANDLE (PLAIN FINISH)

ON / OFF TOGGLE SWITCH

POLISHED ALUMINUM REFLECTOR

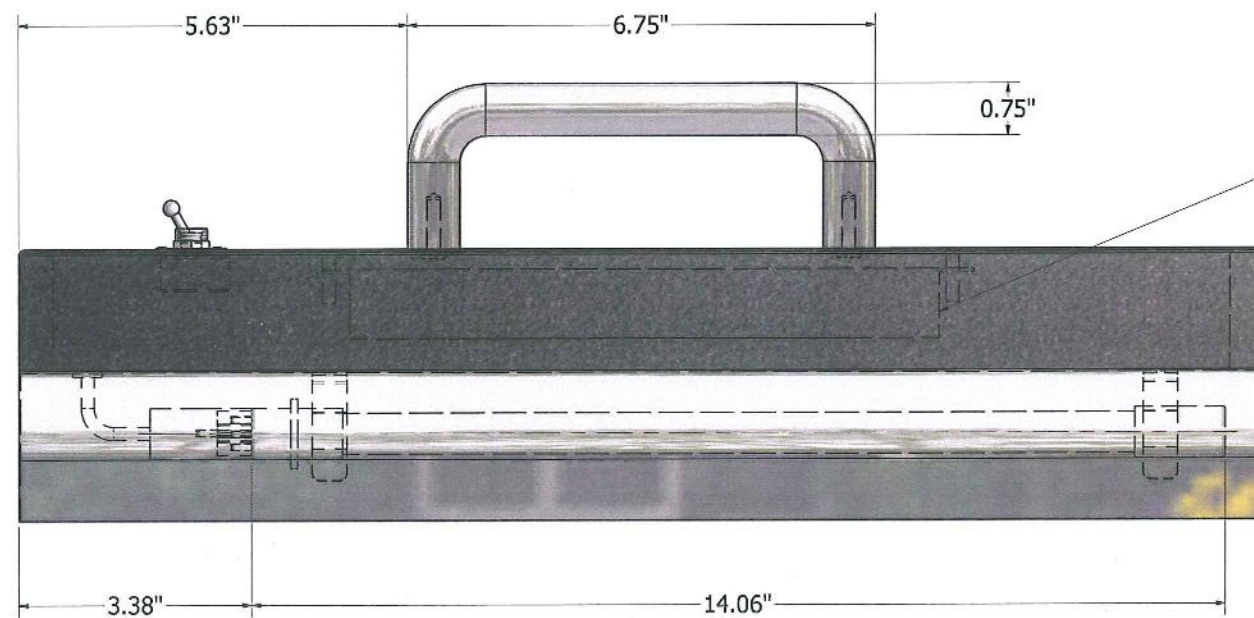
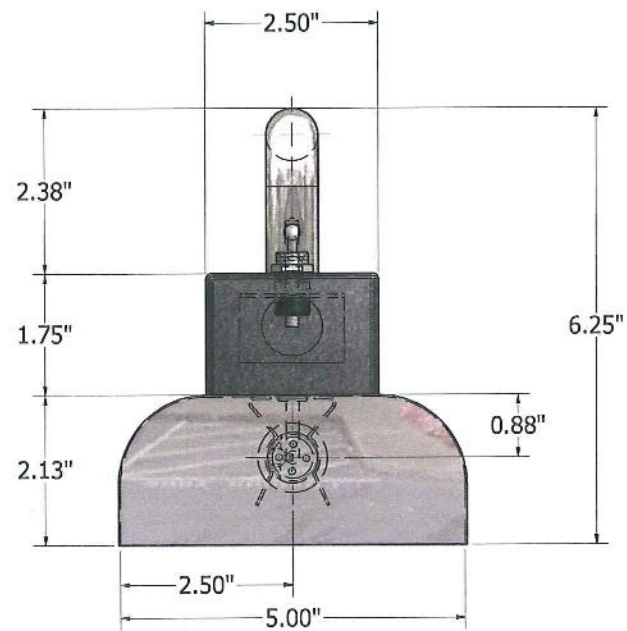
SBLSKTASSY CONNECTOR



7/8" KNOCK-OUT FOR 120 VAC POWER CORD  
Ships with Standard 6'-0" Long  
3-Prong Grounded Cord / Plug  
for Std. 15 AMP Outlet

**MODEL HH-18-120**

ESTIMATED WEIGHT = 5 POUNDS  
120 VAC THREE PRONG PLUG AND CORD NOT SHOWN  
735 uW/CM2 UVC INTENSITY @ 6"  
Output is independently Certified



TXG010B ELECTRONIC BALLAST  
(120-277 VAC 50-60 Hz)

AUV Midwest Direct OnLine Sales Office:  
HVAC Industries  
State of Kansas Registered Entity:  
Environmental Control Systems  
877.825.4823 TOLL FREE Phone \* 913.543.3585 Local Phone  
913.324.5024 eFax Direct \* 913.338.0010 Land Line Fax

		<b>AMERICAN ULTRAVIOLET®</b>	
212 SOUTH MT. ZION RD. LEBANON IND. 46052			
SCALE:	DATE:	APPROVED BY:	DRAWN BY:
	11/4/2009		MGlasson
DRAWING OF HAND-HELD UVC LAMP MODULE			
MATERIAL:	FINISH:	SHEET OF SHEET:	DRAWING NUMBER:
		1 OF 1	AUV-HH-18-120